

Advantages of Armored Cable Trays



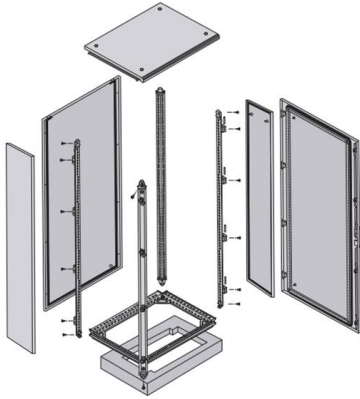


Overview

Advantages of Armored Cable in Industrial Projects Armored cables greatly reduce electrical hazards by maintaining insulation integrity even in harsh conditions. Metallic trays are available in Steel, Stainless Steel, Galvanized Iron, Low-carbon steel, and Aluminum. In many outdoor, underground, and industrial settings, standard cables often face risks of crushing, moisture, corrosion, or accidental damage. Trays should never be filled to capacity, as overcrowding restricts airflow and makes future additions difficult.



Advantages of Armored Cable Trays



Cost-Effective Solutions: The Advantages of Cable Trays

This article examines the reasons behind the popularity of cable trays as a cost-effective method for organising wiring systems and discusses their benefit.

What are the Advantages of Armored Cables?

There are many advantages to using armored cables: the melting point of temperature-resistant steel for armored cables is about 15,000°C, which is much

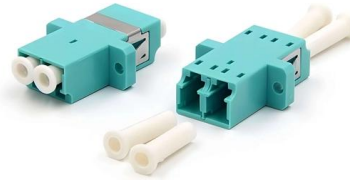


Types of Cable Trays: Benefits and Uses

Different types of cable trays offer key benefits, optimizing cable management and enhancing efficiency in electrical systems.

Using cable trays instead of conduit: A look at the advantages

In many installations, one way to achieve these goals is to use armored, metal-clad and other permitted cable types installed in cable trays wherever practical. While the initial cost of the



Uncovering the Strength of Steel Wire Armoured Cables:

Another advantage of steel wire armoured cables is their resistance to moisture and other environmental factors. The steel wire armour effectively

Cable Trays vs. Conduit

Armored, metal-clad cables installed in cable trays rather than non-armored cables protected by conduit are often easier and less expensive to install.



Armored Cable Explained: Structure, Types & Advantages

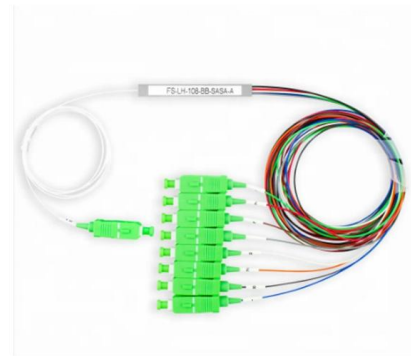
Discover what makes armored cables unique--learn their structure, voltage classes, and advantages in protection, safety, and durability for modern power systems.





Types of Cable Trays: Purpose, Advantages,

These trays ensure maximum airflow around the cables, promoting effective ventilation and heat dissipation to keep cable temperatures within safe



Advantages and Disadvantages of Using Cable Tray

Cable trays are a modern and essential solution for cable management, widely used in both commercial and industrial settings. They offer

Advantages and Disadvantages of Metal Cable Trays

Explore the advantages and disadvantages of metal cable trays. Learn about different types to make the best choice for your



Cable tray vs cable basket vs cable ladder vs cable

This article will discuss the four most common types of cable containment and their uses: cable tray, cable basket, cable ladder, and cable



Metal-Clad Armored Cable Vs. Traditional Electrical

ADVANTAGES OF ARMORED CABLE Armored cables provide the protection and durability required without the need for electrical conduit, elbows, costly offsets,

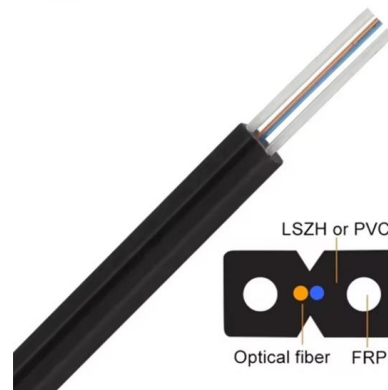


Armored vs. Non-Armored Fiber Optic Cable

Avantages and disadvantages of amored versus non armored cable In this post we will discuss armored and non armored fiber optic cable and the various cable constructions that are

The Importance of Cable Tray Systems in Modern Infrastructure

Instead of burying cables in walls or running them loosely across spaces, trays provide a dedicated pathway. This ensures proper ventilation, easy maintenance, and future scalability for



What are the Advantages of Armored Cables?

Armored power cables are coated with non-reactive materials to protect them from mechanical damage. The armoring material is usually rigid enough to protect the



Armored vs. Unarmored Fiber Optic Cables: What's the

Explore the advantages and disadvantages of unarmored and armored fiber optic cables to determine the best solution for your network



Cable Tray Systems Explained: The Right Solution for

For projects with significant cabling requirements, these benefits translate into lower lifecycle costs and improved reliability. Cable tray systems provide a practical,

5 Reasons why Cable Trays are a BETTER alternative

When it comes to efficient and safe cable management, cable trays outshine traditional cable management systems in terms of flexibility, airflow,



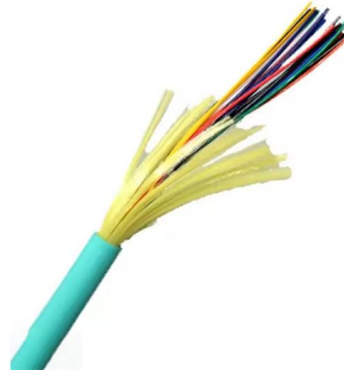
5 Reasons why Cable Trays are a BETTER alternative

Efficient cable management is crucial for maintaining a safe and organized electrical infrastructure. When it comes to choosing the right solution,



Top 6 Advantages of Cable Tray Systems for Building

Discover how cable tray systems enhance safety, improve organization, and boost efficiency in building infrastructures.



Armored Cable Guide: Types, Applications & Safety

Compared to ordinary power cables, armored cables can resist external impacts, pressure, abrasion, and rodent damage, making them widely



Armoured Cable Explained: Types, Benefits,

What are Cable Trays & Different Types, Benefits of

These trays provide a reliable, rigid, and durable structural system that is used to accommodate all types of electric cables and intricate wiring.



Types of Cable Trays - Purpose, Advantages,

Cable tray systems are alternatives to wire ways and electrical conduit, which completely enclose cables. Cable trays are capable of supporting all types of



and Applications

The armour layer lies at the heart of an armoured cable, made from materials like steel wire, steel tape, or aluminium wire. It offers strong mechanical protection, guards against crushing



Armored Cable Guide: Types, Applications & Safety Advantages

Learn how armored cable enhances safety, durability, performance across industrial and power systems. Explore types, installation tips, applications.

Everything You Need to Know About Cable Trays , Cable Trays

Discover the different types of cable trays, their many benefits when used in electrical wiring and network cabling, installation processes, and essential maintenance tips for keeping your



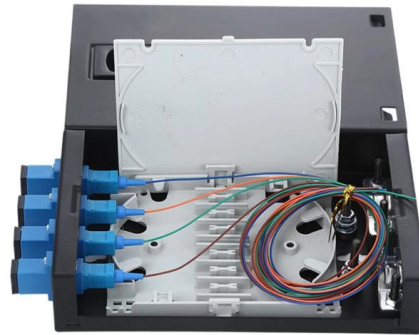
What are Cable Trays & Different Types of Cable Trays

These trays provide a reliable, rigid, and durable structural system that is used to accommodate all types of electric cables and intricate wiring.



What is Armoured Cable? Types, Benefits and

Armoured cable is an electrical cable reinforced with a layer of metal protection, known as armor. This metal layer--commonly made of steel wire,



Contact Us

For datasheets, pricing, or custom high-speed optical interconnect solutions, please visit:
<https://www.syropy.com.pl>