

850nm Multimode Fiber





Overview

Multi-mode optical fiber is a type of optical fiber mostly used for communication over short distances, such as within a building or on a campus. Multi-mode fiber has a fairly large core diameter that enables multiple light modes to be propagated and limits the maximum length of a transmission link because of modal dispersion. ApplicationsThe equipment used for communications over multi-mode optical fiber is less expensive than that for.



850nm Multimode Fiber



Eaton N286-01G-SX-C 1000BASE-SX SFP LC , 850 nm, 1.25 Gbps,

Keep short-range fiber links clean, predictable, and easy to service with a 1000BASE-SX SFP transceiver designed for multimode environments. The LC duplex interface and 850 nm wavelength

OM1 vs OM2 vs OM3 vs OM4 vs OM5 Multimode Fiber

Compare OM1, OM2, OM3, OM4, and OM5 multimode fiber specs, distances, bandwidth, and applications. Essential guide for data center fiber

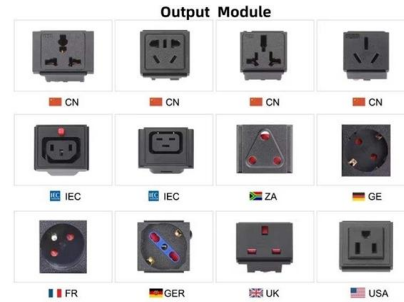


10Gtek 10GBase-SR SFP+ LC Transceiver, 10G 850nm

10GBASE-SR SFP+ to LC Optical 10 Gigabit Ethernet Fiber transceiver module, 10GbE Multimode SFP+ (compatible with both 62.5um and

Multimode SFP+ 850 nm Lichtwellenleiter-Sender, -Empfänger

Multimode SFP+ 850 nm Lichtwellenleiter-Sender, -Empfänger, -Transceiver sind bei Mouser Electronics erhältlich. Mouser bietet Lagerbestände, Stückpreise und Datenblätter für Multimode



Why Choose Us

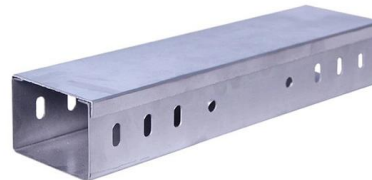


Optical Fiber OM1 062 (62.5/125µm Multimode Fiber

Datasheet: GD046917v8 SPECIFICATION FOR 62.5/125 MULTIMODE OPTICAL FIBER: ISO/IEC 11801 & IEC 60793-2-10 Type A1b SPECIFICATION

OS1 vs OS2, OM3 vs OM4 vs OM5 - Fiber Optic Cable

Discover the key differences between OS1 and OS2 singlemode fibers, and OM3, OM4, OM5 multimode cables. Learn how to select the right fiber type



850nm Multimode Fiber Optical Amplified Photodetector / Photoreceiver

Our bonding material not only meets NASA's low outgas requirement, but is also capable of withstanding high temperatures (85°C). The package meets the Telecordia 1221 reliability standard. A fiber optic



Optical Fiber OM2 050 (50/125µm Multimode Fiber

Datasheet: GD046916v8 SPECIFICATION FOR 50/125 MULTIMODE OPTICAL FIBER: ISO/IEC 11801, IEC 60793-2-10 Type A1a.1 and ITU-T RECOMMENDATION G.651.1 SPECIFICATION



Multimode Fiber Data Sheet

This fiber is a laser-optimized, bend-insensitive, graded-index multimode fiber designed for transmission speeds of 10 Gb/s and beyond. OM5 is backwards compatible with OM4 and supports single

StarTech Gigabit 850nm Multi Mode SFP Fiber Optical

Using a short wavelength (850nm) VCSEL laser diode and enabling a maximum cable distance of 1804' (550m) over multi mode fiber, this Small Form Factor



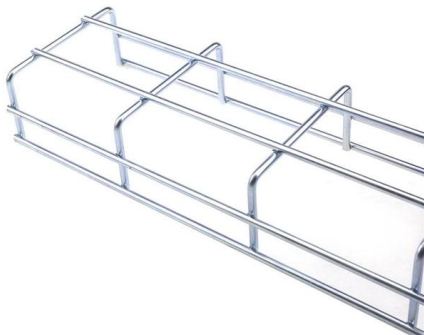
400G Optical Modules Explained: SR4 Vs. DR4 Vs. FR4

Key differences between SR4, DR4, FR4, and LR4 400G optical modules. Expert advice from Asterfusion engineers to optimize your data center



COBTEL 12-Core OM5 MPO Patch Cord, Pre-Terminated Trunk Cable

MPO-OM5 Fiber Optic Patch Cord The lime-green mpo fiber patch cable that hyperscale data centers choose - carrier-grade MT ferrule, ≤ 0.3 dB insertion loss, pre-terminated and ready to deploy the



Fiber Optic Cable Types: Comprehensive Guide

Explore the different types of fiber optic cables and understand which type suits your specific needs for speed, distance, and durability.

ACT Fiber optic LC loopback adapter multimode 850 nm. Suitable for

Jetzt registrieren Anmelden Send på mail
Reciever name Empfänger E-Mail Absender
Absender E-Mail Notiz Schicken Lesen Sie weitere
Spezifikationen und Beschreibung ACT LWL-LC-
Loopback



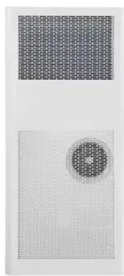
Fiber Optic Wavelengths Explained: 850 vs 1310 vs

Light is more than what meets the eye. In fiber optics, the choice of wavelength is a fundamental design decision: it determines how far your signal



H!Fiber 10G Multimode SFP+ LC Module, 10GBase-SR Fiber

About this item 10GBase-SR SFP+: 10 Gigabit Ethernet Multimode SFP+ Module, 10 Gb/s, 850nm wavelength, Duplex Dual LC, MMF, operates on multi-mode (OM3/OM4) LC/UPC fiber cable spans of up to 300m (984 Ft) in length; 2 Pack Wide Compatible: Perfect for Cisco SFP-10G-SR, Meraki MA-SFP-10GB-SR,



BlueOptics SFP-10G-SR-BO

10G SFP+ transceiver til multimode-fiber. LC-stik, 850 nm, 300 m rækkevidde, DDM og Cisco-kompatibilitet. Ideel til switches og højhastighedsnetværk.

Multimode 850 nm Fiber Optic Transmitters, Receivers, Transceivers

Mouser offers inventory, pricing, & datasheets for Multimode 850 nm Fiber Optic Transmitters, Receivers, Transceivers.



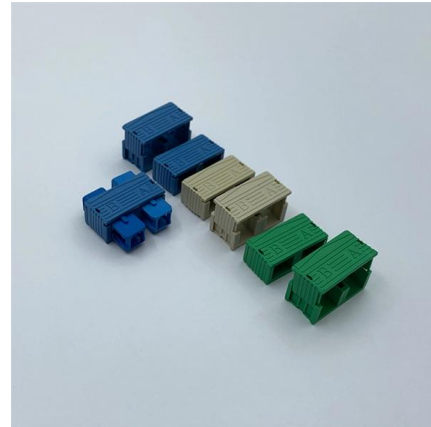
SFP Wavelength Guide: 850nm vs. 1310nm vs. 1550nm

The 850nm multimode SFP transceiver is primarily designed for short-reach communication over multimode fiber (MMF). It is widely deployed in



4Pack 10Gbase-SR SFP+ LC Transceiver, 10G

FLYPROFiber- LC to LC Fiber Patch Cable 1M/3ft, OM3 Multimode Fiber Optic Cable Cord, 10GB/40GB, Duplex, 50/125um, LSZH, Options: 0.2m



Choice 2PCS 10G SFP+ Dual Fiber LC SFP Module Multimode 850nm

With Trendyol , you will be able to purchase 2PCS 10G SFP+ Dual Fiber LC SFP Module Multimode 850nm 300m Duplex SFP-10G-SR Compatible With variou Choice with very special discounts. Shop

Multimode vs Single Mode Fiber Optic Cables: A Complete Guide to

Learn the differences between multimode (OM1-OM5) and single mode (OS1-OS2) fiber optic cables--speed, distance, applications, and how to choose the right one for data centers and



How Wavelength (850/1310/1550nm) Affects Transceiver Reach --

Choosing the right optical wavelength is one of the quickest ways to determine how far a Siustuvus imtuvus can reliably carry data. Engineers decide among 850 nm, 1310 nm and 1550 nm based on



D-Link DEM-S2801SR 25GBase-SR SFP28 Multimode Transceiver 100m 850nm

Operating at 850nm wavelength over multimode fiber, this transceiver delivers blazing-fast 25 Gigabit speeds for distances up to 100m on OM4 fiber or 70m on OM3 fiber. Featuring hot-swappable design



SFP1-MM-D Optical multi-mode 850nm 1G SFP transceiver

SFP1-MM-D is a fiber optic duplex transceiver for 850nm multimode signals. This standard pluggable SFP optical module has an LC connector for reception and transmission of signals over a single

How Wavelength (850/1310/1550nm) Affects Transceiver Reach --

Choosing the right optical wavelength is one of the quickest ways to determine how far a Transceiver can reliably carry data. Engineers decide among 850 nm, 1310 nm and 1550 nm based on reach, fiber



Eaton Tripp Lite 1GbE Medienkonverter 550m , Future-X

Eaton Tripp Lite Series Gigabit Multimode Fiber to Ethernet Media Converter, 10/100/1000 LC, International Power Supply, 850 nm, 550 m (1,804 ft.) - Medienkonverter - 10Mb LAN, 100Mb LAN,



4 Pack 1.25G 850nm Multimode SFP LC Transceiver

4 Pack 1.25G SFP SX optical module 850nm Multimode reach 550m transmission distance, SFP Fiber module is Hot-Swappable with ESD protection



Fiber Optic Only SFP-10G-SR Compatible 10GBASE SFP+ 850nm

For 10 Gb/s LC duplex optical links on multimode fiber Meets 10GBASE-SR (850 nm, up to 300 m) specifications with DOM/DDR support Compatible with 10 Gb/s Ethernet ports using the SFP+ form

Contact Us

For datasheets, pricing, or custom high-speed optical interconnect solutions, please visit:
<https://www.syropy.com.pl>