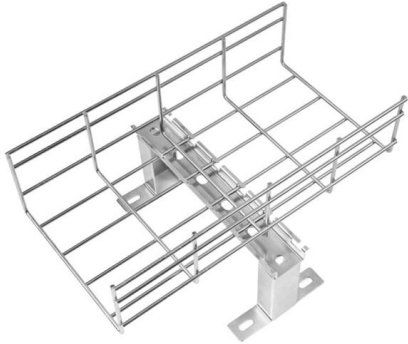


40G optical module for base station





40G optical module for base station



Differences in Application Scenarios between Single-Mode and

Wireless Communication Base Stations: Single-mode optical modules can be used for backplane transmission in wireless communication base stations, meeting the high bandwidth and

The Ultimate Guide to Fiber Optic Cables - Types, Standards, and

Discover how to choose the right fiber optic cables for your network. Learn about fiber types, cable constructions, connectors, and industry standards -- plus expert recommendations from



Custom 40G QSFP+ and 50G SFP56/QSFP28 Modules

WolonFiber manufactures strictly MSA-compliant 40G QSFP+, 50G SFP56, and 50G QSFP28 optical interconnects optimized for mission-critical telecommunications and campus deployments.

40GBASE-LR4 Optical Module: Reliable Long-Distance

Conclusion The 40GBASE-LR4 optical module is a high-performance solution for long-distance 40G networking, offering efficient, reliable, and cost



The Core Components of Optical Modules: Lasers,

Introduction Modern communication networks rely on optical transceivers to transfer data at the speed of light. Whether in 5G base stations,



Small Form-factor Pluggable

Small Form-factor Pluggable Small Form-factor Pluggable connected to a pair of fiber-optic cables Small Form-factor Pluggable (SFP) is a compact, hot-pluggable



What Is StarryLink Optical Module? Why Do We Need It?

The StarryLink optical module is a core component developed by Huawei for data center networks. It delivers ultra-long-distance transmission, exceptional reliability, and enhanced security,





Optical Module Package Market 2025

Each 5G base station requires multiple high-speed optical connections, with the fronthaul segment alone consuming 25G/100G optical modules in large quantities. Network operators are expected to deploy



5G Fronthaul 25G SFP28 Optical Module Selection Guide , Langzhi

Typical fronthaul distances range from 1-20 km, covering outdoor macro base stations, indoor distribution systems, and small cells. 25G SFP28 Optical Module Type Comparison 25G

40G Optical Transceivers and Cables Portfolio , FS

40GBASE Optical Transceivers and Cables Portfolio Product Overview The 40G transceiver module portfolio offers customers a wide variety of high-density and low-power 40Gigabit Ethernet



QSFP+ SR4 40GbE Universal Optical Transceiver

The 40G QSFP+ SR4 optical transceiver transmits data over multi mode fibre at a



Custom 40G QSFP+ and 50G SFP56/QSFP28 Modules

WolonFiber manufactures strictly MSA-compliant 40G QSFP+, 50G SFP56, and 50G QSFP28 optical interconnects optimized for mission-critical telecommunications and campus deployments.

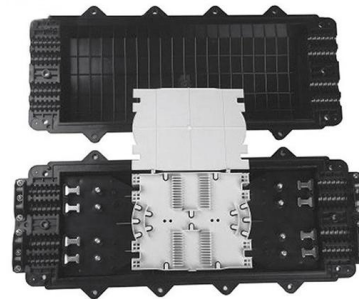


40G QSFP+ Transceiver Modules , Optical Transceivers

Skyward Telecom offers a growing portfolio of 40G QSFP+ modules. The 40G QSFP+ module solution provides high-performance 40GbE connectivity for data centres, enterprise core & distribution layers,

Ecosia

Ecosia uses 100% of its profits for the planet and produces enough renewable energy to power all searches twice over.



6 Common 40G QSFP+ Optical Module Models

With four mutually independent channels for transmitting and receiving optical signals, 40G optical modules are able to provide high-density and low-power 40G Ethernet connectivity



40G QSFP+ Optical Transceivers Complete Guide

The 40G QSFP+ optical transceiver - often called a 40g fiber optic transceiver - is a hot-pluggable, high-density module that bundles four independent 10Gbps



Single Mode Optical Modules Market 2026

Telecommunication operators are extensively deploying Single Mode Optical Modules in fronthaul and backhaul applications to support 5G network rollouts. The modules enable high-speed, low-latency

Cisco 40GBASE QSFP Modules Data Sheet

This module can be used for native 40G optical links over 12-fiber ribbon cables with MPO/MTP connectors or in 4x10G mode with parallel-to-duplex fiber breakout cables for connectivity



40G QSFP+ Transceiver Modules , Optical Transceivers

FS 40G QSFP+ optical transceiver module solutions offer a full range of QSFP+ modules from 150m to 80km reach, and used for high-density switching, routing



VIAMI Solutions , Network Test, Monitoring, and Assurance

Our test, monitoring, assurance, and resilient position, navigation and timing solutions enable and secure critical infrastructure ranging from data center



40G Optical Transceivers and Cables Portfolio , FS

The 40G transceiver module portfolio offers customers 40Gigabit Ethernet connectivity options for data center, high-performance computing networks, enterprise core and distribution layers, and service



X-linkit 40G Optical Modules: The Complete Guide for High-Speed

X-linkit's 40G portfolio solves a critical market pain point: the gap between short-reach limitations and the high cost of long-haul 100G solutions. Our full-distance matrix allows network



SFP vs. QSFP: Differences, Use Cases, and How to Choose

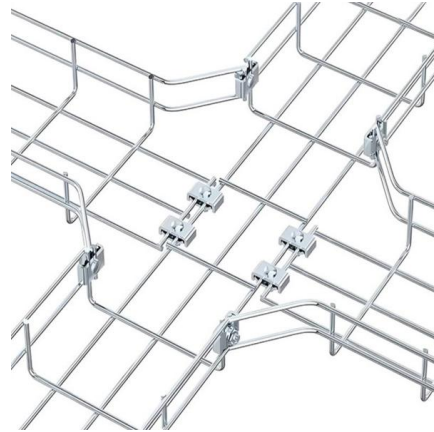
Compare SFP vs. QSFP transceivers: key differences, speeds, distances, costs, and expert guidance to choose the right module for your network architecture.





40Gb/s QSFP+ Transceiver , Optical Interconnect

Amphenol provides a series of 40G QSFP+optical module products, including SR4, eSR4, IR4, LR4, ER4 lite, AOC and AOC breakout series.



Telecom Optical Module Market Research Report 2033

The Telecom Optical Module market was valued at \$24.8 billion in 2025 and is projected to reach \$47.3 billion by 2033, growing at 8.4% CAGR.

JTOPTICS 40G Transceivers , High-Performance 40G Solutions

40G Qsfp+ Psm4 Transceiver 4X10Gbase-Lr Qsfp+ 1310Nm 10Km Dom Mtp®/Mpo-12 Smf Optical Transceiver Module JTOPTICS® 40G SR4 QSFP+ transceiver is a high performance module for



Contact Us

For datasheets, pricing, or custom high-speed optical interconnect solutions, please visit:
<https://www.syropy.com.pl>