

40A DC Power Supply Relay Protection Tester





Overview

The RELAYSTAR-702 Protective Relay Test System by Haomai Electric combines industrial-grade power (40A per phase, 120V AC/DC) with cutting-edge DSP technology for precision validation of relays in transmission lines, substations, and industrial grids. S40A is a type of 3-phase protection relay test kit, with 3×40A, 3×300V, and also a local control system. HAOMAI ELECTRIC POWER AUTOMATION, established in 1999 and headquartered in Wuhan, China, specializes in developing and manufacturing electrical power test and measurement instruments. Our products are widely used in power grids, petrochemicals, metallurgy, railways, coal mines, research institutes. Protection Relay Test Set Model: RELAYSTAR-1600 The Six-Phase Protection Relay Test Set RELAYSTAR-1600 is multifunctional test set with 6 current output channels and 6 voltage output channels, which has is intended primarily for secondary testing of protection relays.



40A DC Power Supply Relay Protection Tester



Secondary Injection 3 Phase 40A Microcomputer Protection Relay

It can test not only various traditional relays and protection devices, but also various modern microcomputer protections, especially for transformer differential protection and standby automatic

Ponovo PW41i Protection Relay Test Set 3-Phase Relay

Features: 3×40A, 4×300V/3×300V 8 Binary inputs, 4 Binary outputs High current and power output, output 3×40A with maximum power up to



Single phase microcomputer protection relay test set

TEST-750 single phase relay test set is a portable relay test unit, high performance, operation simply, portable designed to test in the field; It adopts aluminum alloy body with PC panel, robust shape;

S40A Protection Relay Test Set

S40A is a type of 3-phase protection relay test set, with 3×40A, 3×300V, and a local control system. It is a portable and economic secondary injection tester, and easy to use. This 3-phase protection relay



Three Phase 40A Relay Test Set Protection Relay

Apply to the test of microcomputer three - phase single - chip microcomputer relay protection. HY-702 comes with a large LCD display and flexible rotating mouse



Single Phase Protection Relay Test Kit

The Single Phase Protection Relay Test Kit is an essential tool for accurate and reliable testing of protection relays in electrical systems. This advanced test kit is

FTTH BOOK-TYPE TERMINAL BOX

Sleek Design. Reliable Connectivity.

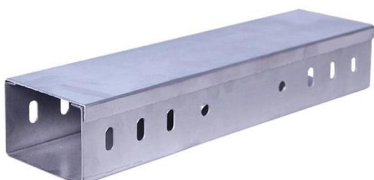


COMPACT & DURABLE

EASY INSTALLATION

40A relay protection tester

It can test not only various traditional relays and protection devices, but also various modern microcomputer protections, especially for transformer differential protection and standby automatic



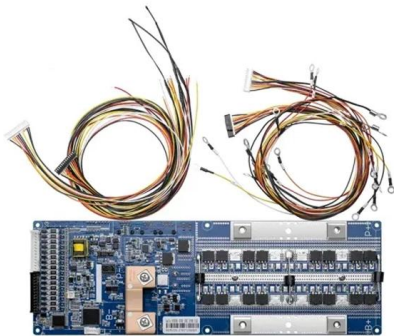


Protection Relay Testing and Commissioning

Electronic power amplifiers are applied to supply precise voltages and currents of high stability to the protection relay under test. The inclusion of a computer in the test system allows more



Cable structure



Power Supply AC-DC Power Supplies , RS

Power Supply (AC-DC Power Supplies) This email address is associated with more than one company. Please select the company you'd like to login to to continue:

RELAYSTAR-702 Protective Relay Test System , 40A/Phase, 120V

The RELAYSTAR-702 Protective Relay Test System by Haomai Electric combines industrial-grade power (40A per phase, 120V AC/DC) with cutting-edge DSP technology for precision validation of



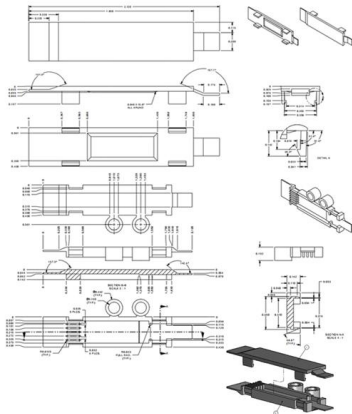
protection testing, protection relay testing, protection test

ARTES 600 Compact test system for highly complex test tasks. 4 voltage outputs and 6 current outputs which can provide particularly high output power allow

Protection relay testing and diagnostic solutions



Verify that your protection relays operate correctly when faults occur. Megger's smart relay testing solutions and expert support help you validate



3X40A/4X300V Three Phase Relay Tester-SI313-APT Power

3 currents and 4 voltages output independently
Auxiliary DC output: 110V/220Vdc Plug-in
Modular design for easy maintenance Large color LCD, keyboard and rotating mouse; external USB mouse is

PW41i Protective Relay Test Set

PW41i is a reliable protective relay test set with high current output (3×40A) and high voltage output (4×300V-advanced version or 3×300V-standard version). It is with built- in local system so that the



RELAYSTAR-702 Protective Relay Test System , 40A/Phase, 120V AC/DC

The RELAYSTAR-702 Protective Relay Test System by Haomai Electric combines industrial-grade power (40A per phase, 120V AC/DC) with cutting-edge DSP technology for precision validation of



Secondary Injection 3 Phase 40A Microcomputer Protection Relay Tester

ITEM: RUN-RP340A OUTPUT CURRENT: 40A The relay protection tester can test a variety of single relays such as AC and DC, current, voltage, intermediate, self-holding, signal, etc. and the entire

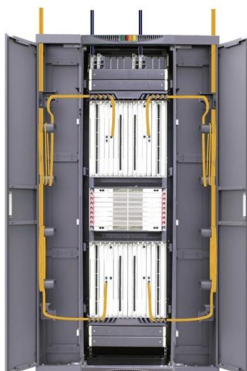


Compact Three-Phase Relay Tester with 40A Output for Generators

A newly developed economical relay protection tester in 2023. The equipment can simulate the current and voltage during power system faults, and can be used for the operation, maintenance, debugging,

Relay Protection Tester

Our relay protection tester offers comprehensive testing for both optical digital and traditional protective devices. It's ideal for power plants, substations, equipment manufacturers, and institutions needing



Tripp Lite PR40 DC Power Supply 40A 120V AC Input to

Product Description Precision regulated DC power supplies are ideal for commercial/land-mobile, ham and CB radios, test bench supplies, base stations,



S40A Protection Relay Test Set

S40A is a type of 3-phase protection relay test set, with 3×40A, 3×300V, and a local control system. It is a portable and economic secondary injection tester, and easy to use.



TEST-750 PORTABLE SINGLE PHASE RELAY TEST SET

TEST-750 single-phase relay test set high performance, portable designed to test in the field; it adopts aluminum alloy body with PC panel, robust shape; with the ARM chip control, LCD screen display

Single Phase Relay Tester, Relay Test Equipment

Single phase protection relay test equipment consists of a fully isolated dual channel and longtime counting digital millisecond meter, high power AC and DC voltage,



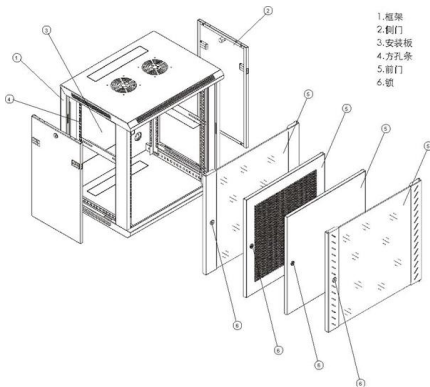
Relay protection tester

It is equipped with independent and special DC auxiliary voltage source output, and the output voltage is 110V (1a) and 220V (0.6A) respectively. It can be used for



3 Phase Protection Relay Test Set, 110V 220V

Professional 3 phase protection relay test set for sale, industrial control computer, 110V and 220V dedicated adjustable DC power output, secondary injection relay



40a protection relay tester

Protection Relay Test Set Model:
RELAYSTAR-1600 The Six-Phase Protection Relay Test Set RELAYSTAR-1600 is multifunctional test set with 6 current output channels and 6 voltage output

Protection relay test equipment

S40A is a type of 3-phase protection relay test kit, with 3×40A, 3×300V, and also a local control system. It is a portable and economic secondary injection tester, and



Contact Us

For datasheets, pricing, or custom high-speed optical interconnect solutions, please visit:

<https://www.syropy.com.pl>