

22 Optical Splitter Box Type





22 Optical Splitter Box Type



What are Beamsplitters?

What are Beamsplitters? Beamsplitter Construction , Types of Beamsplitters
Beamsplitters are optical components used to split incident light at a designated

What are the types of splitters? How to choose a splitter?

Optical splitters can be divided into box-type optical splitters, tray-type optical splitters, rack-mounted optical splitters, wall-mounted optical splitters, etc.



Optical Splitters for Central Office/Headend

CommScope offers a portfolio of bare and connectorized splitters/couplers in a wide range of styles and split ratios, and splitter modules for inside plant (ISP) and

8 &12 Cores Fiber Optical Junction Box, Fiber Splitter Box

Hongyou can produce all kinds of Fiber Optical Junction Box, Fiber Splitter Distribution Box, Splitter Box according to customer requirements.



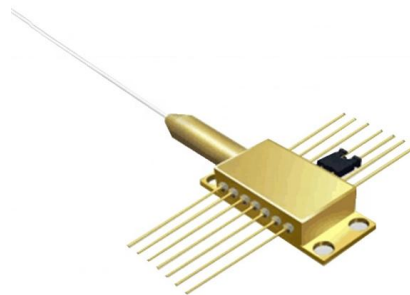
Fiber Optic Splitters , PLC & FBT Optical Splitters

Explore our comprehensive selection of high-performance fiber optic splitters. We offer a variety of PLC splitter types, including ABS box, LGX cassette, and rack



What Is an Optical Splitter?

What's an optical splitter? How does the fiber optic splitter work? How many fiber splitter types? How to choose the right fiber splitter? Find the answers



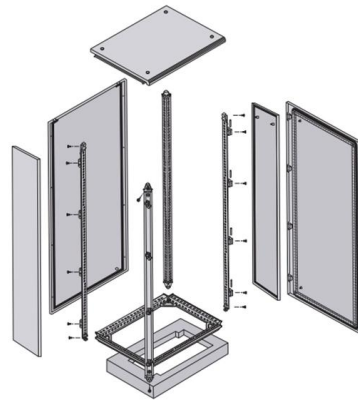
Ficha_Splitters

It's a kind of ODN product suitable for PON networks that can be installed in the pigtail cassette, test instrument and WDM system, it minimizes the space occupation.



PLC-A-102 1x2 ABS box module type fiber optic PLC

The 1x2 ABS box module type PLC Splitters have high performance in terms of low insertion loss, low PDL, high return loss, and excellent uniformity.



Optical cable split fiber box composition material and

An optical cable split fiber box is a device used in fiber optic communication networks to split the signal from one input into multiple outputs,

Outdoor Splitter Distribution Box - Plastic - Model 22 -

Outdoor Splitter Distribution Box - Plastic - Model 22 - 16 FO Briticom(TM) FO distribution and termination boxes are used for the easy-access and distribution



Modular Splitter Box

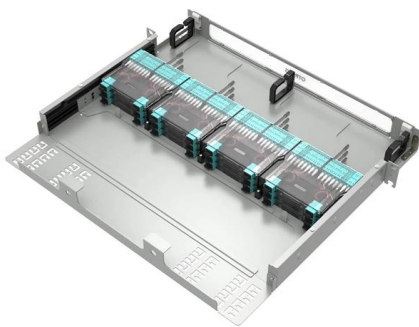
The Modular Splitter Box is a component that splits the optical light power from one route into different routes. The Molex Modular PLC Splitter Box offers premium



3M Passive Optical Splitter Shelves and



Fiber optic splitters are used typically to enable passive optical networks signal distribution between the main aggregation optical line terminal/ switch and the singlemode fiber-fed multiple optical network

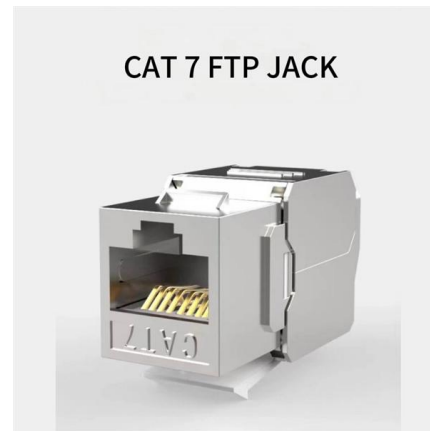


What are the types of splitters? How to choose a splitter?

The upper connecting optical cables of the optical splitter can come from three ways, namely, the first-level optical crossover box, the second-level

Comprehensive Guide to Optical Splitters

An optical splitter is a crucial passive fiber optic device that splits and combines optical signals. It can distribute the optical energy transmitted through a



Optical Fiber Splitter Types -- Complete Guide , TTI Fiber

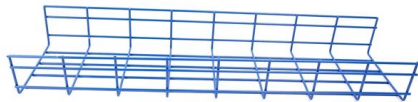
This guide covers what optical fiber splitters are, the main types of optical fiber splitters you should know about, how to pick the right one, and how to install and maintain it properly.





What is Fiber Optic Splitter and Types

This post provides an introduction to fiber optic splitters, their types, functions, and several popular Gcabling optical PLC splitters.



Fiber Optic Splitter: How It Works & Types Guide

This guide demystifies fiber optic splitters, explaining their design, operating principles, types, key specifications, and real-world applications.

Ficha_Splitters

Rack panel splitter is commonly used in the PON network and it has the complete protection for inner optical components and cable, as well as the convenient installation, easy to use and reliable, which



Fiber Optic Splitters - Selection Guide for FTTH Networks

Learn how to choose the right fiber optic splitter for FTTH and FTTX deployments. Compare PLC splitter ratios, packaging types, and installation options.



PLC Splitters , OEM Optical Communication Solutions , Corning

Corning's QuickPath(TM) PLC optical splitters reduce insertion loss and deliver high performance. These devices enable more effective monitoring and management of optical networks. They are available

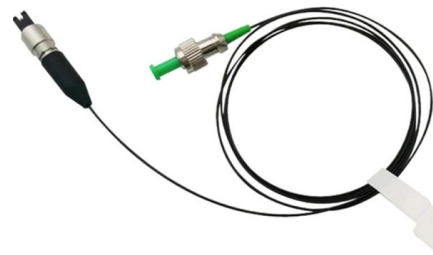


FAT Type 1*8 Splitter Optical Fiber Access Terminal Box

Custom FttH Indoor Pre Connectorized Single Mode Multimode Fiber Optical Drop Cable FAT Type 1*8 Splitter Optical Fiber Access Terminal Box offers 2-24 ports, SC LC adapters, and PC+ABS material.

Fiber Termination Boxes, Patch Panels & FTTH Solutions - Topfiberbox

Discover a wide range of high-quality Fiber Optic Products, from Fiber Optic Termination Boxes and Fiber Optic Splice Enclosures to Fiber Patch Panels and PLC Splitters. Our solutions are perfect for



yingdapc

Hier sollte eine Beschreibung angezeigt werden, diese Seite lässt dies jedoch nicht zu.



PLC Optical Splitter Types

PLC Optical Splitter Types By fiberlife. Posted on December 5, 2024 According to different packaging methods, PLC optical splitters can be divided



What Is Optical Splitter?

An optical splitter is a device that divides light transmission in a network into multiple output ends. It plays a crucial role in facilitating network

LGX Box Fiber LC Splitter

1x2, 1x4, 1x8, 1x16 LGX Box PLC Fiber Splitter for Standard LGX Cassette, LC/APC, SC/APC, Singlemode, Passive optical fiber splitter manufacturers



Contact Us

For datasheets, pricing, or custom high-speed optical interconnect solutions, please visit:
<https://www.syropy.com.pl>