

2 5G optical transmitter for base stations





2 5G optical transmitter for base stations

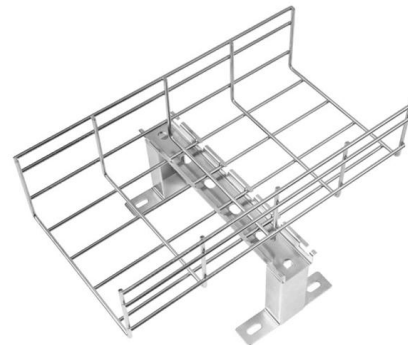


Optical Beamforming Guides 5G Base Stations

Optical phase shifters are used to achieve the phase shifts between the antenna elements. The hybrid antenna system is backed by several already-fabricated

Understanding 5G Communication Optical Transceivers:

From the fronthaul of base stations to the backhaul connecting core networks, optical transceivers are essential for enabling 5G's promised bandwidth



A Wideband Low Impedance 6W Transmitter for 5G Base Stations in

This paper presents a fully integrated non-frequency-translating transmitter covering $\{1.25-5.5\sim\text{GHz}\}$. It features a highly linear and controllable pre-power amplifier (PPA), a low impedance

2.5G SFP BIDI

Springtek SFP transceivers are high performance, cost effective modules supporting data rate of 2.5Gbps and 20km transmission distance with SMF. The transceiver consists of three sections:
a



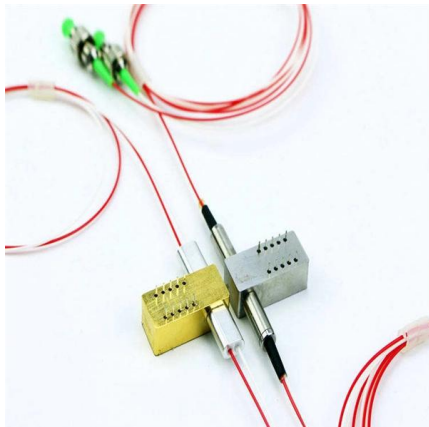
RG 2.5GBASE Series

Product Overview variety of high-density and low-power 2.5G optical modules. They are applicable to data center and campus networks, enabling cost-effective, efficient, and high-speed interconnection



2.5G SFP Transceivers-Sate Optics-Network Connectivity Solutions!

SATE Optics is a global provider of optical transceivers, FTTH solutions, and network connectivity products for data centers and telecom networks. We deliver reliable, high-performance, and fully



2.5G SFP 300m~80km Optical Modules (Industrial Grade)

GIGALIGHT's 2.5G SFP series optical transceiver modules are widely used in synchronous optical networking (SONET OC-48 / SDH STM-16) and are compatible with Gigabit Ethernet and 1G/2G



Simplifying Your 5G Base Transceiver Station Transmitter Line-Up

Simplifying Your 5G Base Transceiver Station Transmitter Line-Up, Design, and Evaluation
Hamed M. Sanogo, End-Market Specialist



From 2.5Gbps 2km SFP to 110Km , High-Performance

SFP 2.5G transceiver is a series of SFP with the speed rate up to 2.5Gbps and transmission up to 110km. The small form-factor pluggable (SFP) is a compact,

making EIRP Measurements on 5G Base Stations Application Note

New methods of measurement have had to be developed that can be performed on any configuration of base station, however complex. These must go beyond a simple measure of input power and provide



iszo SFP-2.5G-RJ45,2500M Rate, SFP to RJ45 Optical

In conclusion, the SFP-2.5G-RJ45 is a high-speed optical module that's easy to install and compatible with a range of devices. With its impressive



Optical Network Technologies for 5G Mobile Network

This paper describes optical network technologies to accommodate various types of 5G base stations.



Selecting the Right Supplies for Powering 5G Base

It includes everything needed to power 5G base station components, including software design and simulation tools like LTpowerCAD and LTspice. These tools

2.5GBASE-SR SFP 850 nm 550 m DDM Multimode

The 2.5GBASE-SR SFP Optical Transceiver Module is a high



Design of a 2.5-Gbps optical transmitter for the International Space

A high data rate laser transmitter assembly (LTA) has been designed as the source for an optical free-space communication link between the International Space Station and the 1-meter



Advanced Optical-Radio Communication System for 5G

Download Citation , Advanced Optical-Radio Communication System for 5G Base Stations at 60 GHz Using MMW-FSO Links with Integrated Space



Application of optical modules in mobile communication base stations

A communication base station is composed of a computer room, base station, antenna, feeder line (transmission line between transmitter and antenna), and supporting equipment. The antenna is at

A dual-band high-gain beam steering antenna array for

The proposed antenna array not only fulfills 5G base station requirements but is also simple and compact as it only requires eight ports to



100M-2.5G SFP Optical Transceiver Modules

SFP is a upgraded version of GBIC transceivers. We offer the most commonly used low-speed optical modules, such as 100M, 1.25G, 2.5G transmissions -



2.5 Gbps free-space optical transmission between two

2.5 Gbps free-space optical transmission between two 5G airship floating base stations at a distance of 12 km Xiaonan Yu, Lei Zhang, Yiqun



Base transceiver station

A base transceiver station (BTS) or a baseband unit (BBU) is a piece of equipment that facilitates wireless communication between user equipment (UE) and a network.



2.5 Gbps free-space optical transmission between two 5G

To the best of our knowledge, the first FSO transmission of 5G base station signals between airship platforms with a rate of 2.5 Gbps and a distance of 12 km was realized, and channel turbulence jitter



Application architecture for 5G floating base stations.

Download scientific diagram , Application architecture for 5G floating base stations. from publication: 2.5 Gbps free-space optical transmission between two 5G airship floating base stations at a





5G Base Station Optical Transceiver Deployment Case Study , SZVAN

5G base station network deployment using compatible optical transceivers and high-speed connectivity solutions. See how SZVAN improved telecom infrastructure efficiency.



schematic diagram of the 5G floating base station and

Download scientific diagram , schematic diagram of the 5G floating base station and laser link (left), the mechanism and suppression measures of atmospheric

2G to 5G Base Station Receiver Design Simplified by

The new base station architecture offered by these transceivers allows base station designers more choices and ways to differentiate their product. The



Which Optical Modules Are Commonly Used In 4G Base

In this blog, ETU-LINK will talk about 4G base stations and common types of optical modules. The base station can be divided into two modules: the RRU for



2.5G BASE-T SFP

2.5G BASE-T SFP is a type of MSA-compatible 2.5G SFP (Small Form-factor Pluggable) copper transceiver designed to operate over a twisted-pair Cat5e or superior cable. 2.5G SFP transceivers



Contact Us

For datasheets, pricing, or custom high-speed optical interconnect solutions, please visit:

<https://www.syropy.com.pl>