

# **12-core indoor optical cable terminal box**





## 12-core indoor optical cable terminal box

---



### **Eardion 12 Core Fiber Distribution Box, 12 Port FTTH**

Eardion 12 Core Fiber Distribution Box, 12 Port FTTH Distribution Splitter Box- Fiber Optic Terminal Junction Splitter Case with LC Fiber Cable Coupler : Amazon : Electronics About this item Feature:

### **Durable 12 Core Fiber Optic Terminal Box Manufacturer , Junpu**

Our 12-core fiber optic terminal box is backed by rigorous testing and supports global standards, reducing procurement time and costs for businesses. As a trusted fiber optical products supplier, we



### **12 Core Fiber Optic Terminal Box**

The 12 core fiber optic terminal box is a fiber optic cable management products used on the terminal of the optical cables, different typed and structures, the diameter of which are within 18mm (?) tray.



### **Fiberhome Metal Indoor Wall-mounted Optical Fiber Terminal Box 12**

Shop Fiberhome Metal Indoor Wall-mounted Optical Fiber Terminal Box with 12 SC single-mode ports. Full-matching set ideal for FTTH, LAN, and telecom fiber installations.



### **12 core FTTH terminal box SC/LC**

It is used as a termination point for the feeder cable to connect with drop cable in FTTH network system. It integrates fiber splicing, splitting, distribution, storage



### **12 Port Fiber Splice Termination Box for 1x8 Mini**

This box comes with one cable inlet and 12 output port, supporting up to 12-core splice. It is made of engineering plastic that provides mechanical protection for



### **All You Need To Know About Fiber Termination Boxes:**

Telecom companies, educational institutions, and CATV companies use single-mode fiber optic cables for higher bandwidth long-distance





### **12 cores fiber splice box ftth fiber optic distribution box**

The 12 Port Fiber Distribution Box can connect up to 2 optical cables, providing space for distributors and 12 fuses. It is equipped with 12 SC adapters and can



### **MINIYX Waterproof Fiber Optical Terminal Box Practical 12 Core Fiber**

WUZIA Other. Cables, pigtails, and patch cords pass through their own paths without interfering with each other, and the box type SC/FC/PLC adapter is installed. Used in the integration of the incoming

### **12 Port Fiber Access Terminal Box with 2 Cable Inlet For**

This 12 port fiber access terminal box is designed to connect feeder cables to subscriber drop cables for FTTH last-mile fiber connectivity. It integrates fiber splicing, optical signal splitting, termination and



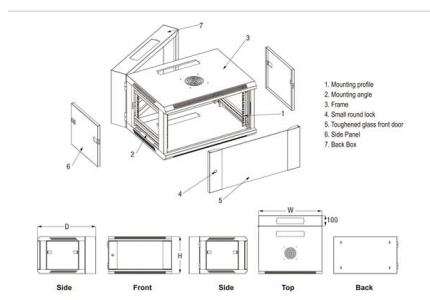
### **Xianshi Fiber Terminal Box, 12 Core, Indoor/Outdoor, IP65**

Cables, pigtails, and patch cords pass through their own without interfering with each other, and the box type SC/FC/PLC adapter is installed. The cabinet can be wall-mounted and can be used indoor and



## 8 Port FTTH Fiber Distribution Box with 24 Cable

A reversible tray simplifies cable management, and the secure lock plus IP65 waterproof rating guarantees reliable performance in indoor and outdoor



## GP-T404-24F 24-Core High-Density MDU Fiber Optic Box

The GP-T404-24F is a compact fiber optic floor terminal box for FTTH in MDUs, supporting 12/24 fiber splices and cable transitions for riser and horizontal setups.

## 12 Core Terminal Box

12 Cores Indoor Terminal Box Wall Mounted SS-12Cores-035, 12 cores fiber optic terminal box is used as a termination point for the feeder cable to connect with drop cable in FTTH communication



## Fiber Optical Terminal Box IP65 12 Core FTTH Fiber

Cables, pigtails, and patch cords pass through their own paths without interfering with each other, and the box type SC/FC/PLC is installed. The cabinet can be



## 12 Core Indoor Floor Terminal Box for FTTH Solutions

Engineered to manage up to 12 fibers, it facilitates seamless integration between riser and horizontal cables, providing secure storage and easy access for fiber splicing and termination.



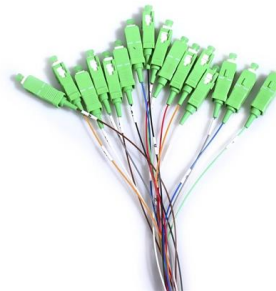
## Fiber Optic Termination Box, 12 Splices

The 12 cores plastic fiber optic distribution box provides a protected connection point for the feeder cable and drop cable in FTTH and FTTx networks. It integrates



## 12 Core Fiber Distribution Box, 12 Port FTTH

Eardion 12 Port FTTH Fiber Distribution Box Splitter Box- Fiber Optic Terminal Junction Splitter Box with LC Fiber Cable Coupler It is suitable for optical fiber



## 12 Core Fiber Optic Distribution Boxes for FTTH

The 12 Core Fiber Optic Distribution Box is meticulously crafted using high-quality ABS+ material, guaranteeing exceptional protection and achieving an impressive



### 12 Core Fiber Optic Distribution Boxes for FTTH

With a maximum capacity of 12 cores and the ability to accommodate 3 pieces of 8-13mm cables, it provides ample space for your connectivity needs. What sets it



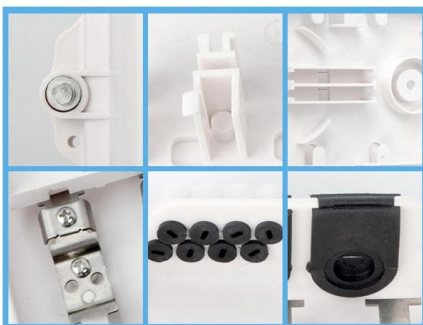
### Fiberhome Metal Indoor Wall-mounted Optical Fiber Terminal Box 12

The Fiberhome 12-core indoor fiber terminal box is an efficient solution for fiber optic cable termination, protection, and organization. Constructed with durable metal housing, it ensures secure and long



### Durable 12 Core Fiber Optic Terminal Box Manufacturer , Junpu

Junpu, a professional manufacturer of 12 core fiber optic terminal boxes. FODB-12A model offers weatherproof protection, 12-subscriber capacity & cost-effectiveness for FTTx. Get a quote!



### 12 Cores Rack Mounted Fiber Optic Terminal Box As

Buy high quality 12 Cores Rack Mounted Fiber Optic Terminal Box As distribution box FS-JJ/SC24-12C cables management from China Fiber Termination Box supplier with free shipping to worldwide and



## 12 Core Indoor Floor Terminal Box for FTTH Solutions

The GP-T404-12F Fiber Optic Floor Terminal Box is designed for fiber-to-the-home (FTTH) installations in multi-dwelling units (MDUs). It acts as the transition point between riser and



## GP-T404-12F 12-Core Flexible FTTH Fiber Optic Box

The GP-T404-12F is a compact fiber optic floor terminal box for FTTH in MDUs, supporting 12 fiber splices and cable transitions for riser and horizontal setups.

## 12 core FC12 Type Fiber Terminal Box As distribution box

It is available for the distribution and terminal connection of various kinds of optical fiber system. These units are available in sizes that fit the most common distribution requirements.



## 12 core FC12 Type Fiber Terminal Box As distribution box

Buy high quality 12 core FC12 Type Fiber Terminal Box As distribution box for cable management from china fiber termination box supplier with free shipping to worldwide and competitive price.





## **12 Cores Fiber Optic Fusion Splicing Terminal Box-ARTIC FIBER**

Function: This terminal box is designed to protect fiber optic splices and facilitate the distribution of fiber connections in FTTx (Fiber to the Home/Building) networks. It serves as a critical point for splicing



## **Contact Us**

---

For datasheets, pricing, or custom high-speed optical interconnect solutions, please visit:  
<https://www.syropy.com.pl>