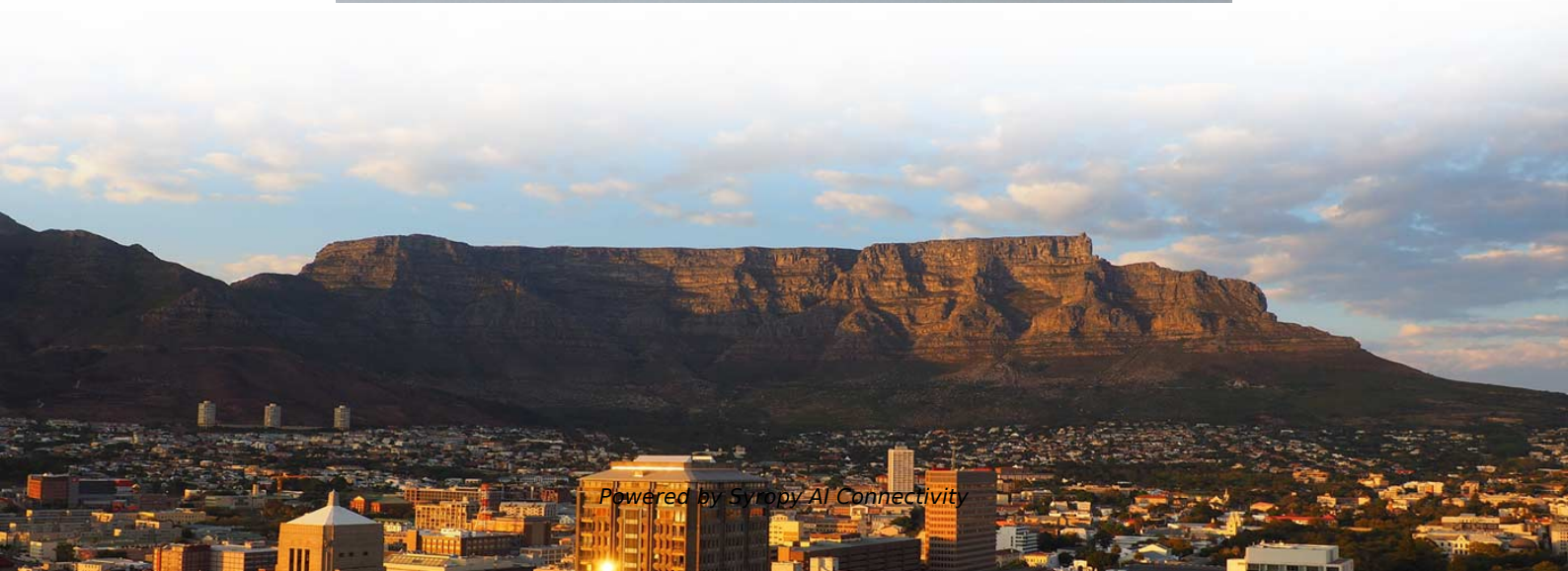


10G Liquid-Cooled Switch in Colombia Overseas Warehouse





10G Liquid-Cooled Switch in Colombia Overseas Warehouse



What Does it Take to Make the Switch to Liquid Cooling?

Hybrid direct and indirect water-cooled - selective cooling of the highest energy-consuming components with direct contact liquid cooling with the balance of the cabinet cooled via a secondary air-to-water

Air-cooled Q-switches

1. QS041-10G-xyxy series Q-switches | DPSS Nd:YAG / Nd:YVO4, linearly polarized | Compact conduction cooled, crystal quartz | 2mm active aperture A compact,



Liquid-cooled switch delivers 102.4 Tbps switching

Alpha Networks Inc. announced the launch of its 1.6T liquid-cooled switch equipped with the Broadcom Tomahawk 6 chip to deliver up to 102.4 Tbps



10Gb Ethernet Switches

Explore FS 10Gb Switches, designed to meet campus network access/aggregation needs, featuring comprehensive protocols, scalability & reliable redundancy.



Ethernet Switches

The 3U 56 Channel and 25Gbps VPX conduction and air-cooled Ethernet switch is an addition to our 10G technology in 3U and 6U configurations. The switch is configurable for system connectivity,



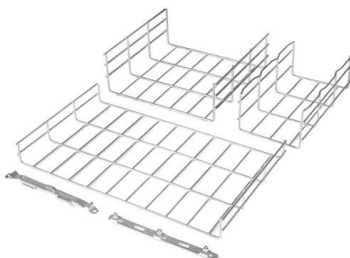
SYSCOM Colombia: REDES / INTERCONEXION (SWITCHES, ROUTERS, POE) SWITCHES

SYSCOM Colombia: REDES / INTERCONEXION (SWITCHES, ROUTERS, POE) SWITCHES
Especificaciones, Precios y Fotografías de los Productos: * Las especificaciones, características,



Global Switch: Showcasing the Power of DC Liquid Cooling

Global Switch's Docklands facility vividly demonstrates how the rise of AI and HPC demands can be addressed through liquid cooling. With conventional





Product models The H3C S6850-56HF-CP cold-plate liquid-cooled Ethernet switch is a high-density, intelligent 25G access switch developed by H3C for cloud data centers and cloud computing



Redefining liquid cooling from the server to the switch

BT kicked off the trials with a network switch cooled using Iceotope's Precision Liquid Cooling technology and Juniper Networks QFX Series Switches.

Fulla

Fulla is a 3U VPX(TM) layer 2/3 Ethernet switch that supports flexible connectivity with 10G Ethernet ports, configurable as 10G-Base-T or 10G-Base-KR with the backplane ports being configurable as



OEM/ODM
CUSTOMIZATION AVAILABLE



L3 Fully Managed 10G Switch with 24 Ports and 40G

We currently use this 10G fibre switch in our colofacility for east-west traffic



AI Infrastructure, Secure Networking, and Software

Cisco is a worldwide technology leader powering an inclusive future for all. Learn more about our products, services, solutions, and innovations.

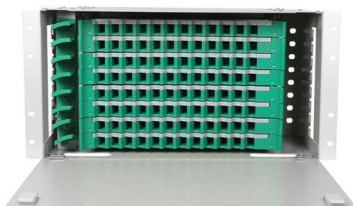


Liquid Cooling Integration and Logistics White Paper

Liquid cooling using cold plates cooling technologies has been the focus of many technology papers and industry guidelines. It is known that liquid cooling is an efficient and effective cooling fluid for high

Exploring the Future of AI Networking: Liquid-Cooled Switches on the

High-radix, liquid-cooled fabrics are poised to interconnect future GPU and accelerator clusters at massive scale, unbound by heat limits. Facility designs that anticipate and accommodate



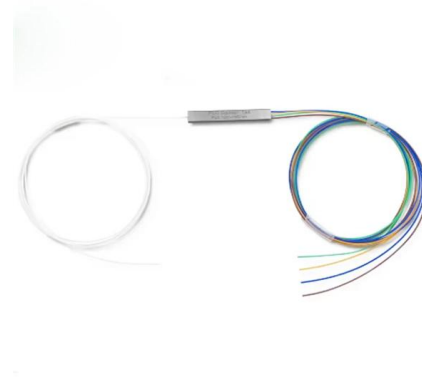
Any passively cooled 10Gbit RJ45 switches? : r/HomeNetworking

Just a quick question: are there really zero switches that offer 3 or more 10Gbit RJ45 ports and are passively cooled? I've been searching for them, (for a few months now) and yes, I know there is the



Switch Administrable L2+ 24 puertos 10/100/1000 Mbps

Multimedia Video playback: 24 puertos administrables planet Switch Administrable L2+ 24 puertos 10/100/1000 Mbps c/Ultra PoE 600 Watts, 4 Puertos 10G SFP+

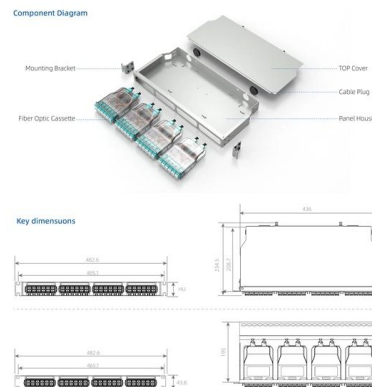


Alpha Networks switch supports up to 100,000 GPU

Alpha Networks Inc. announced the launch of its 1.6T liquid-cooled switch equipped with the Broadcom Tomahawk 6 chip to deliver up to 102.4 Tbps

What Are Next-Generation Liquid-cooled Switches Like?

Three Difficulties in Designing Liquid-Cooled Switches Difficulty 1: The switch cold plate system belongs to "three-dimensional" assembly, and the GPU



Liquid Cooling

Global Switch was the first to bring liquid-cooled capacity to Hong Kong, delivering for the city's booming AI sector. These latest liquid cooling technologies are available to view today at Global Switch's



DynaNET 10G-01

The DynaNET 10G-01 is liquid cooled and has no vents nor moving parts, dramatically increasing reliability. Since it does not require any ventilation, the



DynaNET 100G-01

The DynaNET 100G-01 is a high performance switch for Automotive and rugged applications, where extreme levels of performance, reliability and compactness



TL-SX1008 , 8-Port 10G Desktop/Rackmount Switch

As the flagship 10G product, TL-SX1008 is an 8-port 10G desktop/rackmount switch, providing up to 160 Gbps of switching capacity. Reliable, lightning-fast



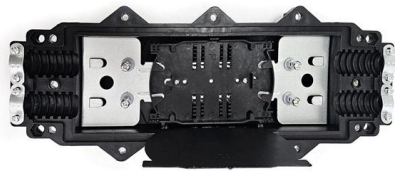
Global Switch , Large-Scale, Carrier-Neutral Data Centres

A full suite of liquid cooling options is now available across our data centre portfolio, capable of meeting the demands of the most powerful AI and high-performance



XikeStor 8 puertos 10G SFP+ Ethernet Switch, Multi

Compra xikestor-8-puertos-10g-sfp-ethernet-switch-multi-gigabit-network-switch-ethernet-splitter-de-alta-velocidad-hub-ethernet-interruptor-gestionado en



Xtreme/10G XDG205

This embedded ethernet switch platform is ideal for space constrained environments requiring high-density, high-bandwidth ethernet switching. Ideal for robotics and



Omada 10G & 2.5G Multi-Gigabit Network Solution , TP-Link Colombia

TP-Link Omada offers 10G and 2.5G multi-gigabit gateways, switches, access points with 10GbE and 2.5GbE ports to form a powerful 10G multi-gigabit network solution, all being equipped with

Contact Us

For datasheets, pricing, or custom high-speed optical interconnect solutions, please visit:
<https://www.syropy.com.pl>