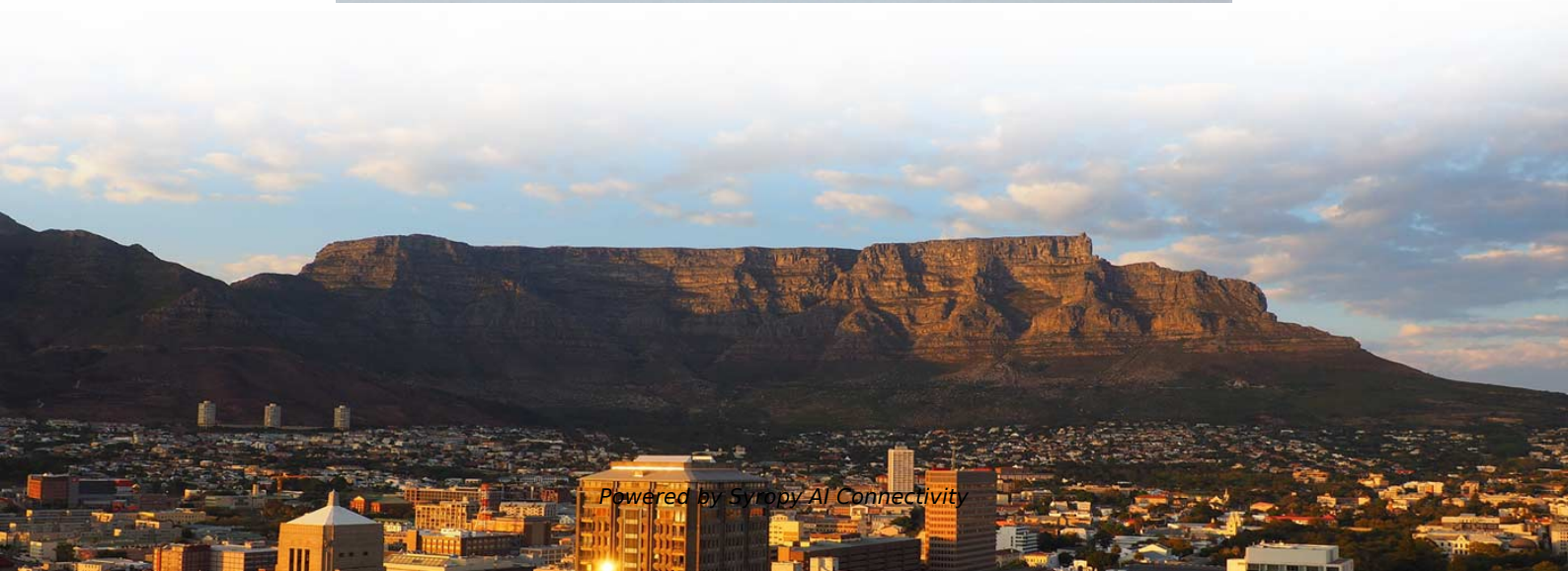


1 kilometer of 24-core optical fiber cable





1 kilometer of 24-core optical fiber cable



2 Core Fiber Optic Cable Price

Discover 2 core fiber optic cable price deals with CE-certified, LSZH jacket cables for FTTH networks. Ideal for fiber optic internet cable applications.

Fiber-Optic Cable Bandwidth: Complete Guide

Bandwidth in fiber-optic cables depends on several key factors: Light signal frequency and wavelength Fiber core diameter and purity Distance of



24 Core Fiber Optic Cable at Attractive Price

Discover precision-engineered 24 core fiber optic cables featuring advanced optical fiber technology, robust materials, and optimal performance. Perfect for telecom and industrial networks. Competitive

OM4 24 Core Armoured Fibre Cable

Buy online 24 core OM4 multimode Unitube Optical fibre cable with corrugated steel tape armoured outer jacket. Cut to order, price per metre.



24 core fibre optic cable om3 Multimode indoor outdoor

TMT GLOBAL provides high-strength optical fiber cables for use in various industrial, indoor, and outdoor applications. Offering unique properties and benefits for



Peru Fiber Optic Cable Market Analysis 2026

2026 Market Analysis Report: Fiber Optic Cable Pricing Focus Region: Peru & Latin America Report Date: January 2026 1. Market Overview As of early 2026, the global fiber optic cable market has



Single-mode optical fiber

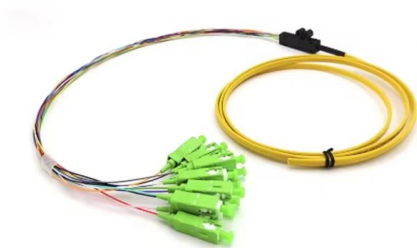
In fiber optics, a quadruply clad fiber is a single-mode optical fiber that has four claddings. Each cladding has a refractive index lower than that of the core.





Fiber optic g.652d cable 48 core

Fiber optic G.652d cable, 48 core, ideal for FTTX telecom pipeline applications. Prices from \$0.35 to \$1650, purchase starting from just 1 unit. Available in large volumes, suitable for wholesale and resale.



OPGW Cable Optical Fiber Cable 4 12 24 48 96 G655 opgw Cable for

After years of dedicated development, Wolf established a comprehensive production and service network and built modern production bases in Qinhuangdao, Hejian, and Renqiu, The product

24 Fiber Fiber Optic Cables - Mouser

24 Fiber Fiber Optic Cables are available at Mouser Electronics. Mouser offers inventory, pricing, & datasheets for 24 Fiber Fiber Optic Cables.



24 Core Fiber Optic Cable, Armoured, 1 Km

Paragon Network Services - Offering 24 Core Fiber Optic Cable, Armoured, 1 Km





GYXTW Armored Fiber Optic Cable with Steel Tape Armor

Outdoor GYXTW armored fiber optic cable featuring PSP steel tape armor, dual parallel steel wires, and gel-filled loose tube for durable and high-performance communication networks.

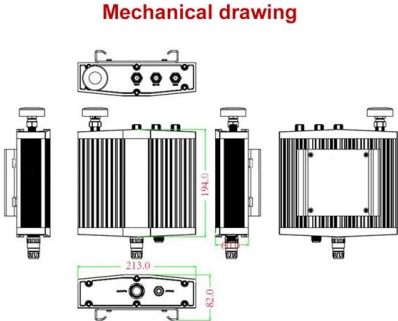


War and Data Centers Are Driving Up the Cost of Fiber-Optic Cable

The demand has caused the price of a kilometer of Chinese fiber-optic to go from \$2.33 in 2025 to \$5.83 in 2026. The core component of fiber-optic cables is a long piece of flexible and

Loose Tube Outdoor Cable OS2, 24-Core, SC/UPC

Black multi-purpose cable with twentyfour cores, rodent protection and pulling aid on both ends. From a length of 100 meters, the fiber optic outdoor cables will be



In Stock 24 Core Fiber Optic Cable 4k+ , Alibaba

Discover 24 core fiber optic cable for FTTH & aerial use. CE/ROHS certified, G652D/G657A2 fibers, armored outdoor durability.



Fiber Optic Cable

Find here Fiber Optic Cable, OFC manufacturers, suppliers & exporters in India. Get contact details & address of companies manufacturing and



24 Cores ADSS Fiber Optic Cable Price & Datasheet

Overview: The 24 Cores ADSS (All-Dielectric Self-Supporting) Fiber Optic Cable



GYTS GYTA 48 Core G652D Single Mode Stranded

GYTA/S APL PSP Armored Stranded Loose Tube Optical Fiber Cable GYTA/S APL PSP Armored Stranded Loose Tube Optical Fiber Cable, The bending insensitive



24 Core Single Mode Fiber Optic Cable Single Tube

With models having various core counts, they offer a wide range of applications for different use cases. Length tolerance is $\pm 5\%$, and cuts can be made to the



24 Core Fiber Optic Cable Price Per Meter with OWIRE Solutions

The 24 core fiber optic cable price per meter will likely remain a key consideration, but informed buyers will prioritize total value over initial cost. In conclusion, the 24 core fiber optic cable



Top 10 Fiber Optic Cables Manufacturers in China

1. Owire As a leading fiber optic cables manufacturers in china, OWIRE, Located in shenzhen, China, established in 2009, certified by ISO9001

How to Choose the Best 8 Core Fiber Optic Cable for Your Network

Discover key factors when buying an 8 core fiber optic cable: types, specs, pricing, and what to look for to ensure reliable, future-proof connectivity.



Optical networks

An optical transport network is a high-speed communication system that sends light signals over fiber-optic cables to move large amounts of data across long



Cost of Fiber Optic Cable: Pricing Guide (2026)

Discover the cost of fiber optic cable in this pricing guide. Learn material prices, installation factors, and what impacts total project costs overall.



24 Core Fiber Optic Cables , Products & Suppliers , GlobalSpec

Find 24 Core Fiber Optic Cables related suppliers, manufacturers, products and specifications on GlobalSpec - a trusted source of 24 Core Fiber Optic Cables information.

G657A2 at \$25/km: Navigating the Price Storm in the

Standard G.652.D Fiber: Prices have hit a seven-year high, averaging over ¥40 (\$5.50) per core kilometer, with some quotes exceeding ¥50 (\$6.90) .



Wholesale 2 Core Fiber Optic Drop Cable 2k+ , Alibaba

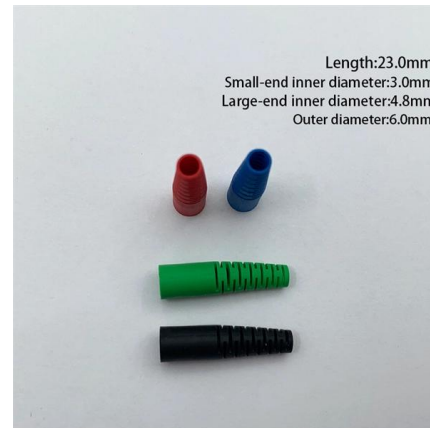
Discover 2 core fiber optic drop cables with G657A1/G652D fibers, ideal for FTTH indoor/outdoor use. CE certified, durable LSZH sheath, perfect for aerial & duct applications.





FiberHome 24 Core Figur.8 Optical Cable

With multiple branches in Iraq and a strong local support team, AL-NABAA is committed to providing original products, reliable service, and tailored solutions



Contact Us

For datasheets, pricing, or custom high-speed optical interconnect solutions, please visit:
<https://www.syropy.com.pl>